

IMPORTANT - DECLARATIONS & WARNINGS

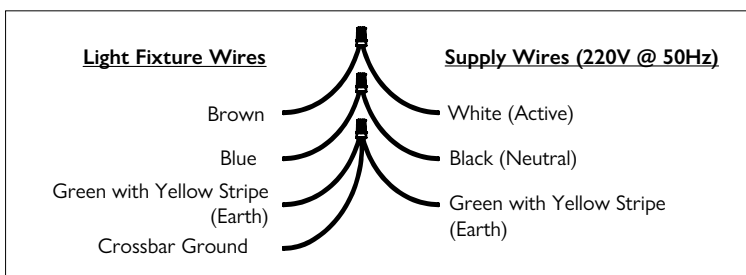
All Barn Light Australia lighting products are designed to be assembled, installed, and finished by a fully-licensed Electrician.

For outdoor ratings to be valid, junctions between the mounting surface and the luminaire must be sealed using supplied gaskets, with an outdoor-rated, UV Resistant silicon used on the mounting surfaces.

Broke something? Might have lost parts? - Call Barn Light. We've got spares. If you believe any facet, part, or component is damaged - Call Barn Light. We're here to make your job easier, both now and in the future.

For outdoor locations - A dry mounting surface is required and the luminaire side must be sealed with silicon/caulking.

WIRING DIAGRAM - 220V / E27 MODELS



INSTRUCTIONS - MOUNTING & WARNINGS

1. This installation requires a recessed weatherproof termination point within the structure. Disconnect power from the electrical panel before installation
2. Place **Stem Mount Gasket (E)** on the ceiling side of the backing plate. If necessary, also place the **Adapter Bracket (A)**
3. Feed Active, Neutral and Earth wires from fixture through **Stem Pole (P)**, **Stem Mount Canopy (X)**, and **Stem Mount Gasket (E)**
4. Attach **Shade (S)** to **Stem Pole (P)** using thread tape.
5. Use **Terminal Block (G)** to connect power supply to the respective wire(s)..
6. Screw **Stem Pole (P)** into **Stem Mount Canopy (X)** and secure in place with **Grub Screw (H)**.

MOUNTING COMPONENTS

- A) Adaptor Bracket (Optional)
- B) Mounting Surface (ie. Your ceiling)
- C) Mounting Screws (Not included)
- E) Stem Mount Gasket
- F) Pan Phillips Screws (2x 8-32x3/4")
- G) Terminal Block
- H) Grub Screws *3 (3/8" x 1/2")
- N³) Nipple (Usually Affixed to Stem Mount Canopy)
- P) Stem Pole (Can be 25mm or 20mm)
- S) Shade
- X) Stem Mount Canopy *2 (Same as Chain & Flush Mount Canopy)

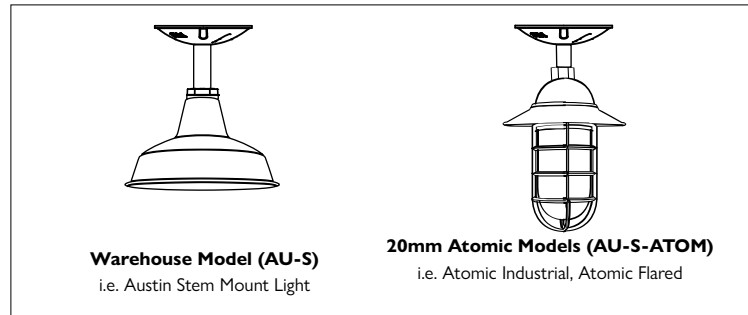
NOTES

- *1 - Mounting Surface Screws (C) are not supplied.
- *2 - Stem Mount Canopy (C) has Grub Screws (H) inserted
- *3 - Grub Screws (H) uses a 3mm Allen Key

**CAUTION: READ ALL INSTRUCTIONS PRIOR TO ASSEMBLY.
INSTALLATIONS BY QUALIFIED ELECTRICIANS ONLY**

ALTERNATE FIXTURE STYLES

These instructions are designed ONLY for 220V E27/Edison Screw Wall Light variants. These instructions may cover many different product types that use the common mounting shown below.



INSTRUCTIONS - MOUNTING & WARNINGS

