

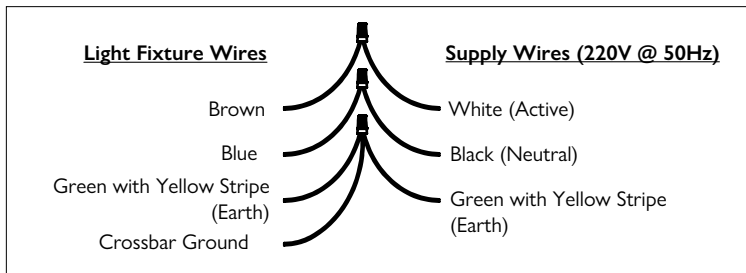
IMPORTANT - DECLARATIONS & WARNINGS

All Barn Light Australia lighting products are designed to be assembled, installed, and finished by a fully-licensed Electrician.

For outdoor ratings to be valid, junctions between the mounting surface and the luminaire must be sealed using supplied gaskets, with an outdoor-rated, UV Resistant silicon used on the mounting surfaces.

Broke something? Might have lost parts? - Call Barn Light. We've got spares. If you believe any facet, part, or component is damaged - Call Barn Light. We're here to make your job easier, both now and in the future.

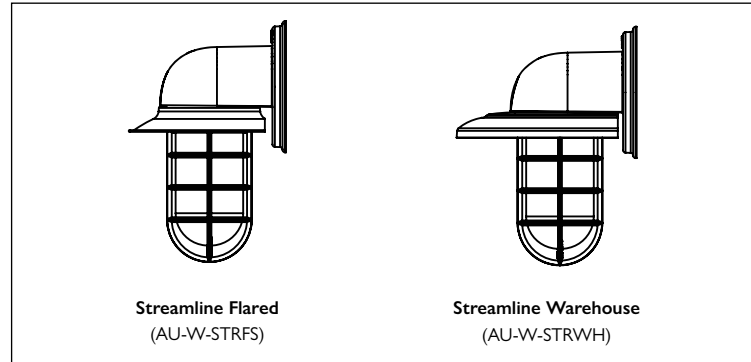
WIRING DIAGRAM - 220V / E27 MODELS



**CAUTION: READ ALL INSTRUCTIONS PRIOR TO ASSEMBLY.
INSTALLATIONS BY QUALIFIED ELECTRICIANS ONLY**

ALTERNATE FIXTURE STYLES

These instructions are designed ONLY for 220V E27/Edison Screw Wall Light variants. These instructions may cover many different product types that use the common mounting shown below.

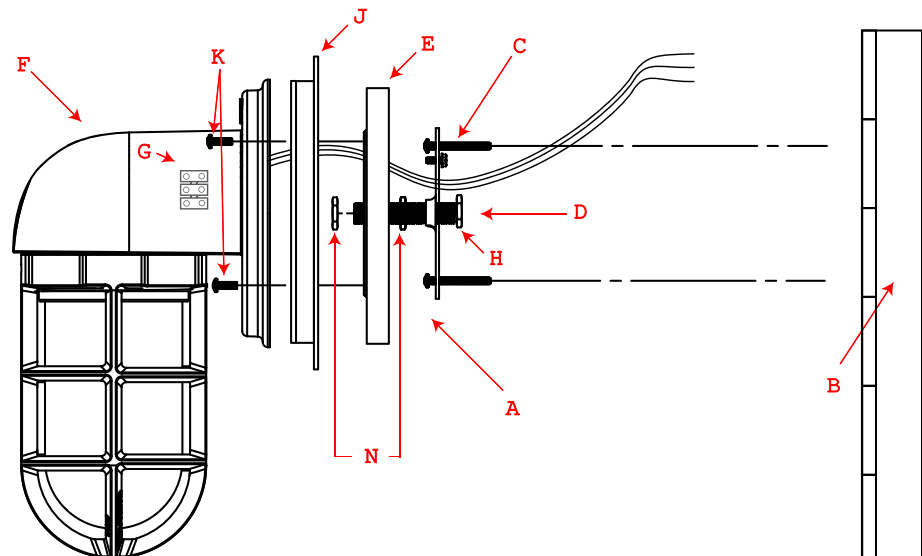


INSTRUCTIONS - MOUNTING & WARNINGS

1. This installation permits termination outside of the structure. Disconnect power from the electrical panel before installation.
2. Thread **Nipple (D)** into **Crossbar (A)**. Position **Crossbar (A)** onto **Mounting Surface (B)** with approximately 30mm recessed into structure.
3. Thread **Nut (N^(1/3))** behind **Crossbar (A)**. Affix **Crossbar (A)** onto **Mounting Surface (B)** using **Mounting Screws (C)^{*1}** as required.
4. Temporarily place the **Mounting Plate (E)^{*2}** onto **Nipple (D)** ensuring **Fixture (F)** will be flush **Mounting Surface (B)** once installed.
5. Remove **Mounting Plate (E)**. Lock **Crossbar (A)** into final position with **Nut (N^(2/3))**. Place **Mounting Plate (E)** onto **Nipple (D)**.
6. Affix **Nut (N^(3/3))** tightly against **Mounting Plate (E)** ensuring **Mounting Plate (E)** is flush against the **Crossbar (A)** position^{*3}.
7. Align **Mounting Plate Gasket (J)** onto **Mounting Plate (E)**. Pull supply wires through top oblong/rectangular slot^{*4} within **Mounting Plate (E)**.
8. Using the supplied **Terminal Block (G)** connect the lighting fixture to supply wires within **Fixture (F)**. Connect Earth / Ground wire.
9. Place **Fixture (F)** against the **Mounting Plate (E)**. Affix 4x **Fixture Screws (K)** tightly against the lighting fixture to finish.
10. Inspect mounting surface to ensure a tight seal is evident. Failure to complete this step will render warranties null and void.

WALL SCONCE COMPONENTS

- A) Crossbar
- B) Mounting Surface (ie. Your Wall)
- C) Mounting Screws
- D) Nipple (1/2" x 1-1/2")
- E) Mounting Plate
- F) Fixture (ie. Streamline)
- G) Terminal Block
- H) Bushing (Optional - *4)
- J) Mounting Plate Gasket
- K) Fixture Screws (8-32x1/2")
- L) Tooth Washer (Optional - *3)
- N) Nuts (3x 1/2" Half Nuts)



NOTES

- *1 - **Mounting Screws (C)** are not supplied.
- *2 - Female Mounting Holes (x4) should be facing outwards.
- *3 - Optional **Toothwasher (L)** is provided, usually beneficial behind the **Mounting Plate (E)** however not required to install.
- *4 - You may opt to pull supply wires through **Nipple (D)** where **Bushing (H)** is installed from **Mounting Surface (B)** side.